

GHISS 16, 24, 32, 40, 48, 56 R AP

GHISS 16, 24, 32, 40, 48, 56 R AE

GHISS 16, 24, 32, R AP PV

GHISS 16, 24, 32, R AE PV

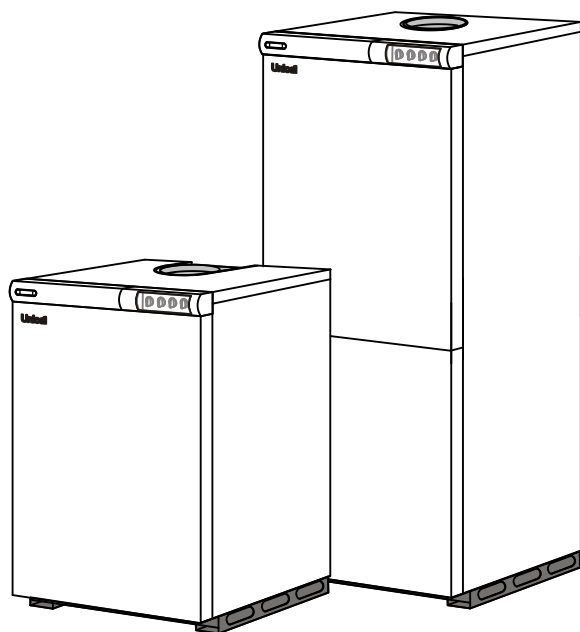
GHISS 16, 24, 32, 40, B AP

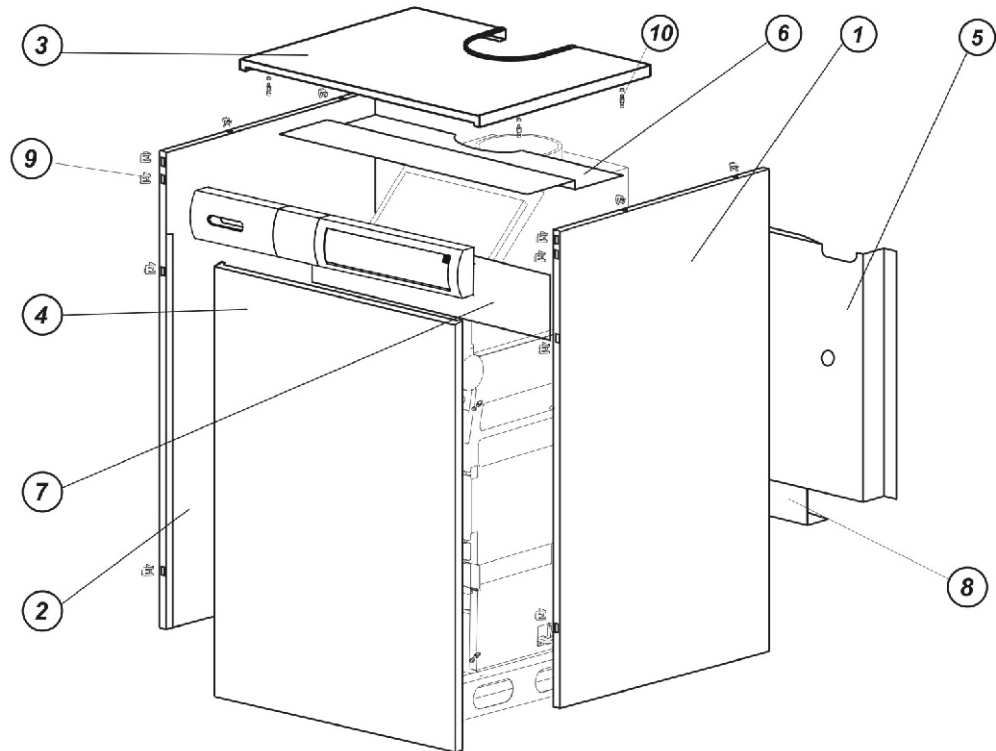
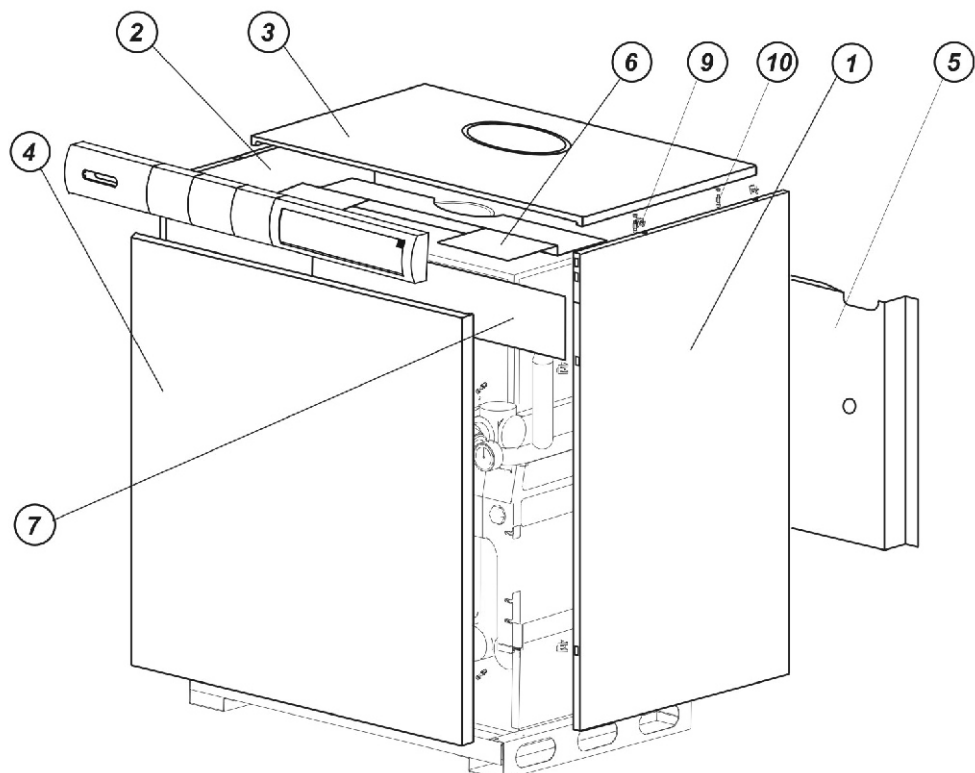
GHISS 16, 24, 32, 40, B AE

GHISS 16, 24, 32, B AP PV

GHISS 16, 24, 32, B AE PV

Spare parts list

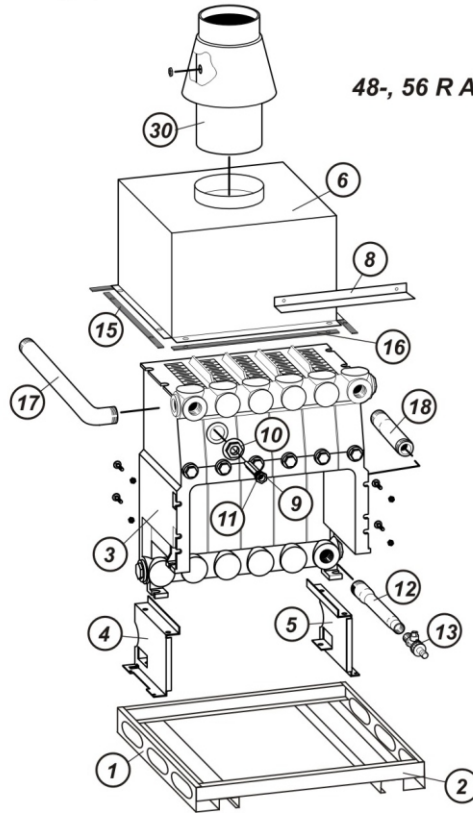
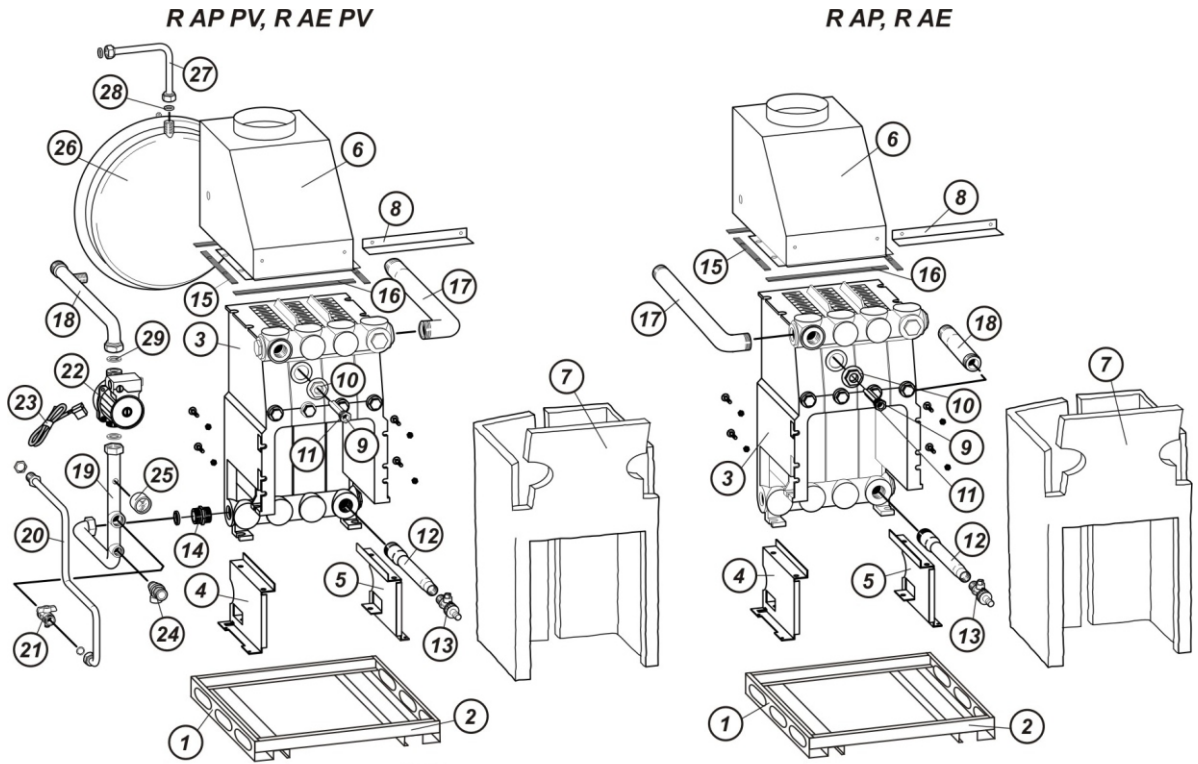


COVER ELEMENTS R AP PV, R AE PV, R AP, R AE**16, 24, 32, 40****48, 56**

COVER ELEMENTS R AP PV, R AE PV, R AP, R AE

Pos.	Code	Description
01	UUJ001	COVER PLATE RIGHT
02	UUJ002	COVER PLATE LEFT
03	UUJ201	TOP COVER 16AP, 16AP PV
	UUJ301	TOP COVER 24AP, 24AP PV
	UUJ401	TOP COVER 32AP, 32AP PV
	UUJ501	TOP COVER 40AP
	UUJ601	TOP COVER 48AP
	UUJ701	TOP COVER 56AP
04	UUJ202	FRONT COVER 16AP, 16AP PV
	UUJ302	FRONT COVER 24AP, 24AP PV
	UUJ402	FRONT COVER 32AP, 32AP PV
	UUJ502	FRONT COVER 40AP-B AP-B AE
	UUJ602	FRONT COVER 48AP
	UUJ702	FRONT COVER 56AP
05	NCJ211	BACK PLATE 16AP, 16AP PV
	NCJ311	BACK PLATE 24AP, 24AP PV
	NCJ411	BACK PLATE 32AP, 32AP PV
	NCJ511	BACK PLATE 40AP
	NCJ611	BACK PLATE 48AP
	NCJ711	BACK PLATE 56AP
06	NCJ207	TOP CONNECTING PART 16AP, 16AP PV
	NCJ307	TOP CONNECTING PART 24AP, 24AP PV
	NCJ407	TOP CONNECTING PART 32AP, 32AP PV
	NCJ507	TOP CONNECTING PART 40AP
	NCJ607	TOP CONNECTING PART 48AP
	NCJ707	TOP CONNECTING PART 56AP
07	UUJ203	FRONT CONNECTING PART 16AP, 16AP PV
	UUJ303	FRONT CONNECTING PART 24AP, 24AP PV
	UUJ403	FRONT CONNECTING PART 32AP, 32AP PV
	UUJ503	FRONT CONNECTING PART 40AP
	UUJ603	FRONT CONNECTING PART 48AP
	UUJ703	FRONT CONNECTING PART 56AP
08	NCJ025	EXPANSION TANK BRACKET SHEET AP PV
09	240001	SPRING
10	240002	M4 SCREW

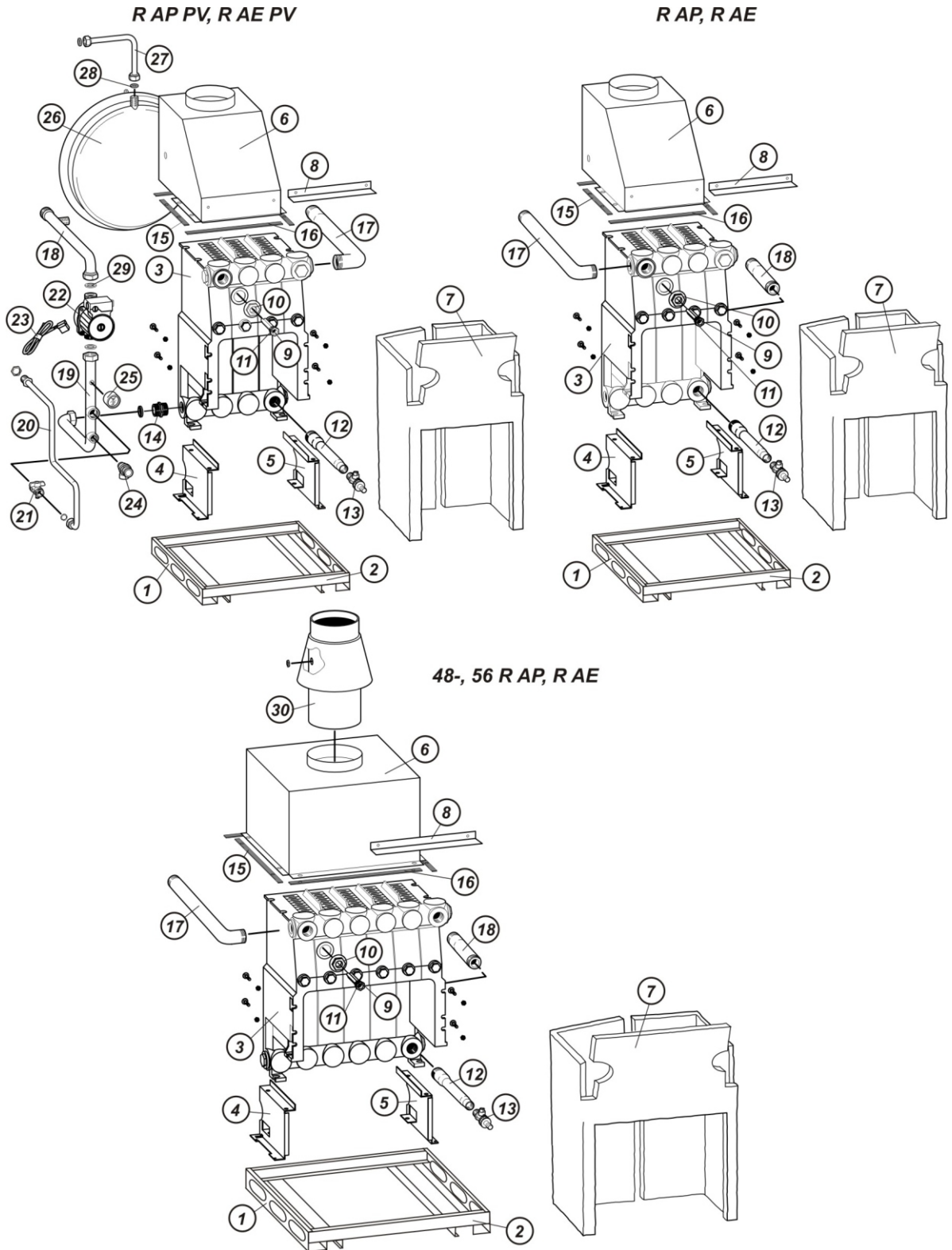
COMPONENTS R AP, R AP PV, R AE PV, R AE, AE, AE PV



COMPONENTS R AP, R AP PV, R AE PV, R AE, AE, AE PV

Pos.	Code	Description
01	NCC100	BASE PLATE OF APPLIANCE
02	NCC202	BASE PLATE CONNECT 16AP, 16AP PV
	NCC302	BASE PLATE CONNECT 24AP, 24AP PV
	NCC402	BASE PLATE CONNECT 32AP, 32AP PV
	NCC502	BASE PLATE CONNECT 40AP
	NCC602	BASE PLATE CONNECT 48AP
	NCC702	BASE PLATE CONNECT 56AP
03	NCC201	CAST IRON HEAT EXCHANGER 2V (16)
	NCC301	CAST IRON HEAT EXCHANGER 3V (24)
	NCC401	CAST IRON HEAT EXCHANGER 4V (32)
	NCC501	CAST IRON HEAT EXCHANGER 5V (40)
	NCC601	CAST IRON HEAT EXCHANGER 6V (48)
	NCC701	CAST IRON HEAT EXCHANGER 7V (56)
04	110001	BOILER BRACKET LEFT
05	110002	BOILER BRACKET RIGHT
06	NCC209	DEFLECTOR 2V (16)
	NCC309	DEFLECTOR 3V (24)
	NCC409	DEFLECTOR 4V (32)
	NCC509	DEFLECTOR 5V (40)
	NCC609	DEFLECTOR 6V (48)
	NCC709	DEFLECTOR 7V (56)
07	NCT202	THERWOOLIN ISOLATION 2V (16)
	NCT302	THERWOOLIN ISOLATION 3V (24)
	NCT402	THERWOOLIN ISOLATION 4V (32)
	NCT502	THERWOOLIN ISOLATION 5V (40)
	NCT602	THERWOOLIN ISOLATION 6V (48)
	NCT702	THERWOOLIN ISOLATION 7V (56)
08	NCJ210	ISOLATION SETTLING 2V (16)
	NCJ310	ISOLATION SETTLING 3V (24)
	NCJ410	ISOLATION SETTLING 4V (32)
	NCJ510	ISOLATION SETTLING 5V (40)
	NCJ610	ISOLATION SETTLING 6V (48)
	NCJ710	ISOLATION SETTLING 7V (56)
09	210001	POCKET OF SENSOR
10	NCC010	SCREWING SLAVE 1"-1/2"
11	210018	ANTISLIP SPRING
12	NCB014	DOWNLOADING PIPE
13	110005	PRIMING COCK
14	NCB023	CONNECTING PIECE 1"
15	110203	DEFLECTOR ISOLATION 2V (16)
	110303	DEFLECTOR ISOLATION 3V (24)
	110403	DEFLECTOR ISOLATION 4V (32)
	110503	DEFLECTOR ISOLATION 5V (40)
	110603	DEFLECTOR ISOLATION 6V (48)
	110703	DEFLECTOR ISOLATION 7V (56)
16	110004	DEFLECTOR ISOLATION COMMON
17	110007	HEATING FLOW PIPE 1"
18	110008	HEATING RETURN PIPE 1" AP
	NCB017	HEATING RETURN PIPE 1" AP PV
19	NCB018	HEATING RETURN PIPE FROM THE PUMP 1" AP PV
20	110006	STANDPIPE AP PV
21	210015	COMBINATED FILLING COCK 1/2"-3/4" AP PV
22	NCH004	CIRCULATION PUMP AP PV
23	NCE994	PUMP CABLE AP PV

COMPONENTS R AP, R AP PV, R AE PV, R AE

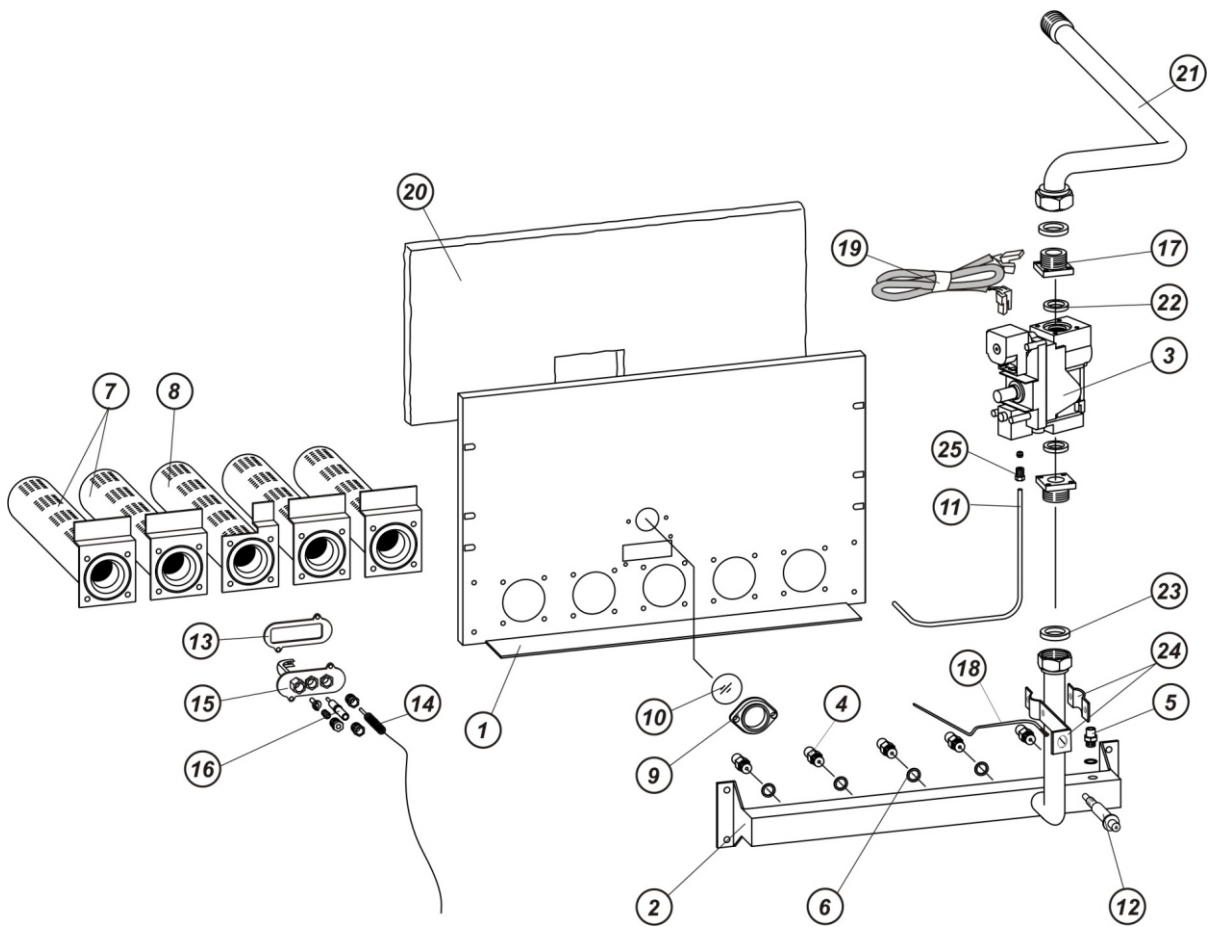


COMPONENTS R AP, R AP PV, R AE PV, R AE

Pos.	Code	Description	
24	NCH902	SAFETY VALVE	
25	NCC022	MANOMETER	
26	NCH901	EXPANSION TANK 12LIT	
27	NCB022	PIPE OF EXPANSION TANK 16 AP PV	
	NCB020	PIPE OF EXPANSION TANK 24 AP PV, 32 AP PV	
28	TB1302	GASKET 1/2"	
29	TB1304	GASKET 1"	
30	111812	OUTSIDE DEFLECTOR	

Other parts: K1/s Exchanger right parts : SZV002; K1/S Exchanger left parts: SZV001;
K1/S Exchanger stud: CAD10A; Silicon ring of exchanger: 000032

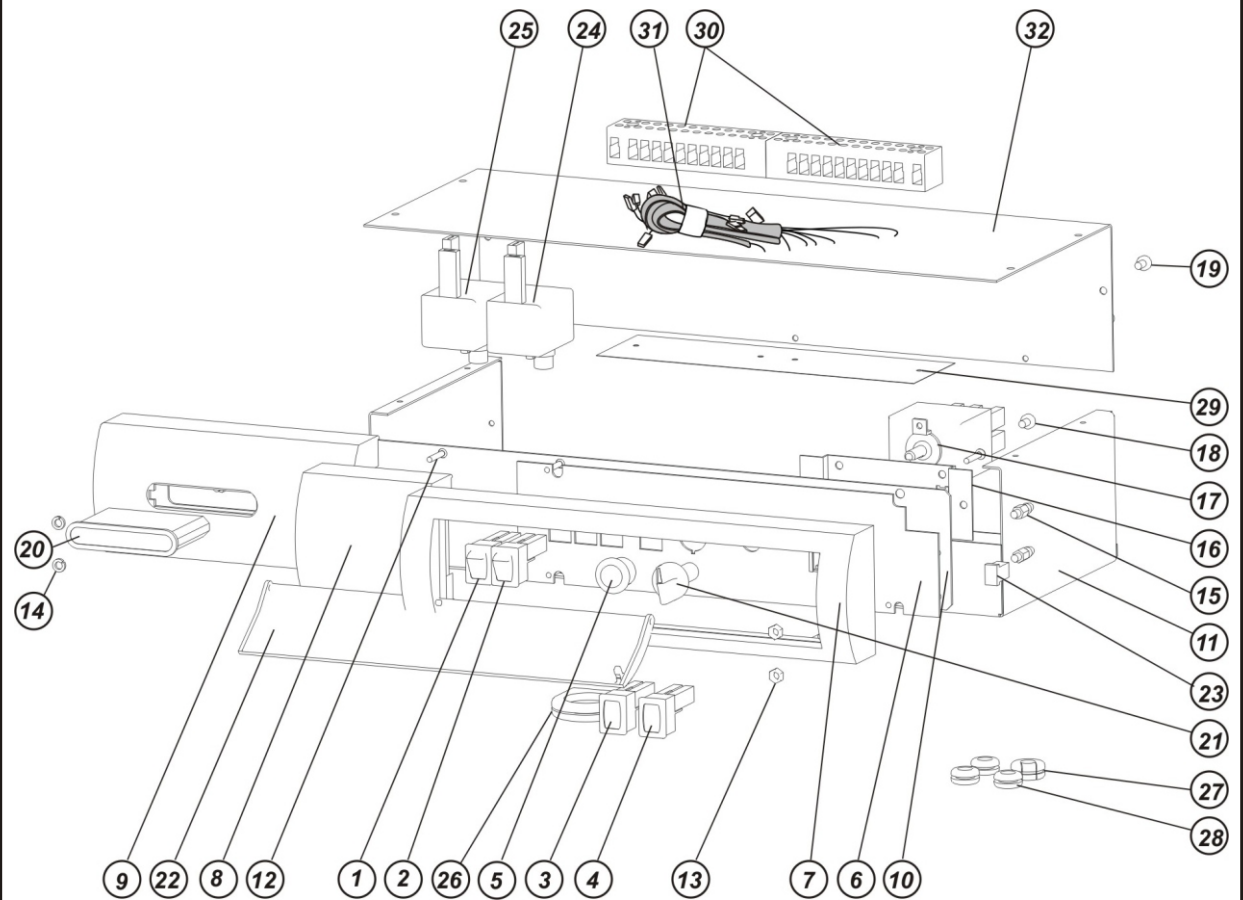
BURNER SYSTEM R AP PV, R AP, B AP, B AP PV, B AE, B AE PV



BURNER SYSTEM R AP PV, R AP, B AP, B AP PV, B AE, B AE PV

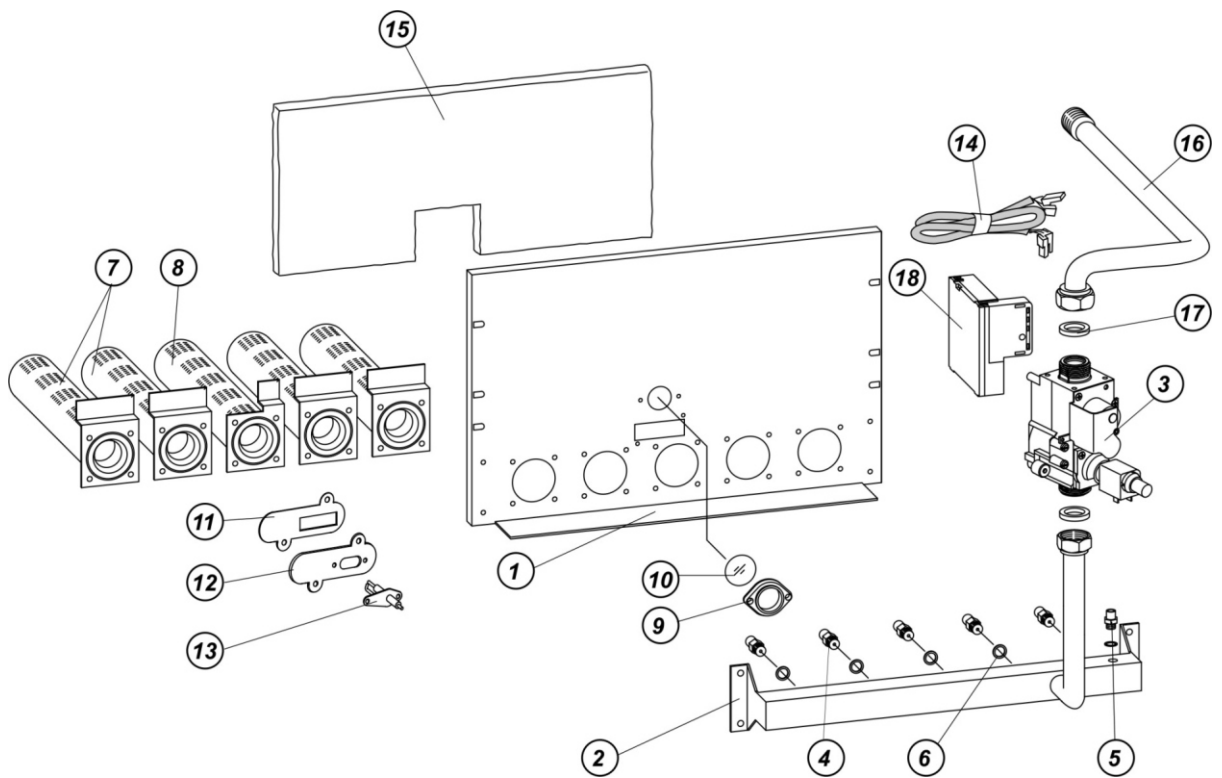
Pos.	Code	Description
01	130201	BURNER PLATE 2V (16)
	130301	BURNER PLATE 3V (24)
	130401	BURNER PLATE 4V (32)
	130501	BURNER PLATE 5V (40)
	130601	BURNER PLATE 6V (48)
	130701	BURNER PLATE 7V (56)
02	230201	MANIFOLD 2V (16)
	230301	MANIFOLD 3V (24)
	230401	MANIFOLD 4V (32)
	230501	MANIFOLD 5V (40)
	230601	MANIFOLD 6V (48)
	230701	MANIFOLD 7V (56)
03	230001	GAS VALVE SIT 820
04	230006	NOZZLES D2,35
	230012	NOZZLES D2,45 (56 ONLY)
05	230007	MANOMETER CONNECTION (CHECK VALVE)
06	230015	COPPER SPACER
07	NCB005	MAIN BURNER
08	NCB006	MAIN BURNER (UNDER IGNITION BURNER)
09	230008	CONTROL WINDOW FRAME
10	230009	CONTROL WINDOW GLASS
11	130025	IGNITION BURNER GAS PIPE D6 (16, 24)
	130045	IGNITION BURNER GAS PIPE D6 (32, 40, 48)
	130075	IGNITION BURNER GAS PIPE D6 (56)
12	230003	PIEZZO LIGHTER
13	130009	IGNITION BURNER GASKET
14	130003	THERMOELEM (16, 24)
	130011	THERMOELEM (32, 40, 48, 56)
15	130002	PILOT BURNER
16	130004	IGNITION ELECTRODE
17	NCB009	FLANGE M3/4"
18	230010	PIEZZO CABLE
19	NCE955	CABLE FOR GAS VALVE SIT
20	110202	ISOLATION FOR BURNER PLATE 2V (16)
	110302	ISOLATION FOR BURNER PLATE 3V (24)
	110402	ISOLATION FOR BURNER PLATE 4V (32)
	110502	ISOLATION FOR BURNER PLATE 5V (40)
	110602	ISOLATION FOR BURNER PLATE 6V (48)
	110702	ISOLATION FOR BURNER PLATE 7V (56)
21	NCB011	GAS PIPE 1/2"
22	NCG201	O-RING
23	TB1303	GASKET 3/4"
24	230011	PIEZZO LIGHTER HOLDER
25	230002	SNAPING SCREW

CONTROL PANEL R AP PV, R AP



CONTROL PANEL R AP PV, R AP

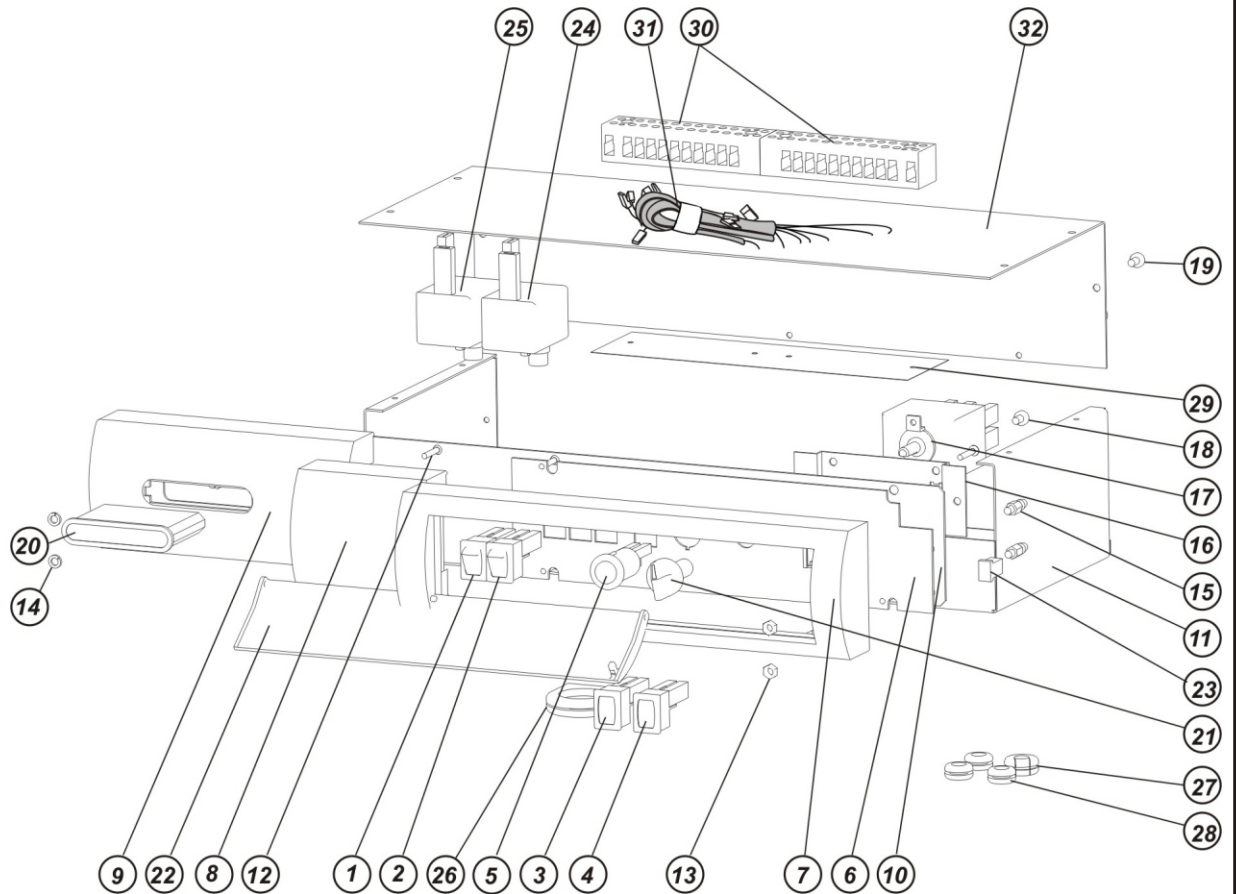
Pos.	Code	Description
01	UUE001	MAIN SWITCH
02	UUE002	WINTER-SUMMER MODE SELECTOR SWITCH
03	UUE003	INDICATOR LIGHT GREEN UNICAL
04	UUE004	INDICATOR LIGHT RED UNICAL
05	UUE005	PLASTIC COVER CUP
06	UUE006	INSERTING PLATE GHISS R
07	UUE007	FRONT PANEL RIGHT ELEMENT
08	UUE008	FRONT PANEL INNER ELEMENT
09	UUE009	FRONT PANEL LEFT ELEMENT
10	UUE010	BASIC ELECTRIC PLATE
11	UUE011	PLATE OF ELECTRIC BOX
12	170011	2,9X22 PLATESCREW PH1
13	170004	M4 NUT
14	170016	M4 SPACER
15	240002	M4 SCREW
16	UUE012	THERMOSTAT KEEPER PLATE
17	220011	THERMOSTAT 90°C
18	170025	SCREW M4X6
19	170020	3,9X9 PLATESCREW PH2
20	NCE013	THERMOMETER
21	UUE013	THERMOSTAT KNOB WHITE
22	XXX901	COVER POLICARBONAT INKA-PREMIXX
23	NCE026	PRESSING BAR
24	220015	TEMPERATURE LIMITER THERMOSTAT 95°C
25	220010	FUME THERMOSTAT 95°C
26	121022	GUM BUSHING BERTELLI
27	NCE024	CABLE STOPPER BUSHING SR-6N-4 SV
28	121031	GUM BUSHING 6X12X15
31	NCE020	CABLECORD TERMO ÖV COLOR N-NB-PA-PAB
32	UUE014	ELECTRONIC BOX TOP COVER

BURNER SYSTEM R AE PV, R AE

BURNER SYSTEM R AE PV, R AE

Pos.	Code	Description
01	130201	BURNER PLATE 2V (16)
	130301	BURNER PLATE 3V (24)
	130401	BURNER PLATE 4V (32)
	130501	BURNER PLATE 5V (40)
	130601	BURNER PLATE 6V (48)
	130701	BURNER PLATE 7V (56)
02	230201	MANIFOLD 2V (16)
	230301	MANIFOLD 3V (24)
	230401	MANIFOLD 4V (32)
	230501	MANIFOLD 5V (40)
	230601	MANIFOLD 6V (48)
	230701	MANIFOLD 7V (56)
03	NCH100	GAS VALVE
04	230006	NOZZLES D2,35
	230012	NOZZLES D2,45 (56 ONLY)
05	230007	MANOMETER CONNECTION (CHECK VALVE)
06	230015	COPPER SPACER
07	NCB005	MAIN BURNER
08	NCB006	MAIN BURNER (UNDER IGNITION BURNER)
09	230008	CONTROL WINDOW FRAME
10	230009	CONTROL WINDOW GLASS
11	130009	IGNITION BURNER GASKET
12	NCB800	IGNITION ELECTRODE HOLDER - DIRECT IGNITION
13	NCE800	IGNITION ELECTRODE - DIRECT IGNITION
14	NCE048	CABLE GAS VALVE SIT 840 DBC 577
15	110202	ISOLATION FOR BURNER PLATE 2V (16)
	110302	ISOLATION FOR BURNER PLATE 3V (24)
	110402	ISOLATION FOR BURNER PLATE 4V (32)
	110502	ISOLATION FOR BURNER PLATE 5V (40)
	110602	ISOLATION FOR BURNER PLATE 6V (48)
	110702	ISOLATION FOR BURNER PLATE 7V (56)
16	NCB011	GAS PIPE 1/2"
17	TB1303	GASKET 3/4"
18	NCE047	IGNITION CONTROLLER DBC 577
19	NCE1011	CABLE IGNITION-IONISATION ECO B L1000

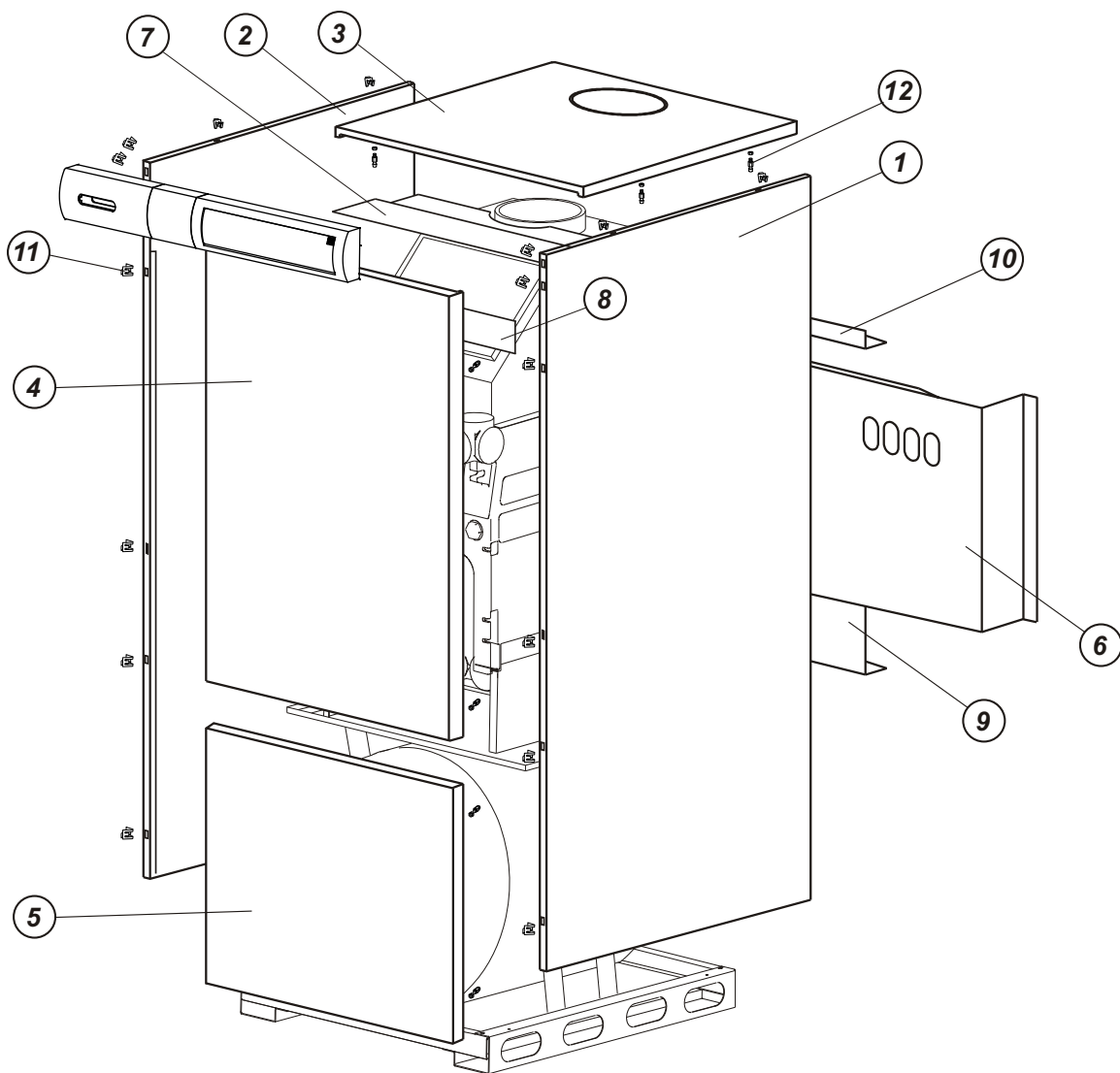
CONTROL PANEL GHISS R AE PV, R AE



CONTROL PANEL GHISS R AE PV, R AE

Pos.	Code	Description
01	UUE001	MAIN SWITCH
02	UUE002	WINTER-SUMMER MODE SELECTOR SWITCH
03	UUE003	INDICATOR LIGHT GREEN UNICAL
04	UUE004	INDICATOR LIGHT RED UNICAL
05	UUE015	RESET SWITCH (WHITE FRAME)
06	UUE006	INSERTING PLATE GHISS R
07	UUE007	FRONT PANEL RIGHT ELEMENT
08	UUE008	FRONT PANEL INNER ELEMENT
09	UUE009	FRONT PANEL LEFT ELEMENT
10	UUE010	BASIC ELECTRIC PLATE
11	UUE011	PLATE OF ELECTRIC BOX
12	170011	2,9X22 PLATESCREW PH1
13	170004	M4 NUT
14	170016	M4 SPACER
15	240002	M4 SCREW
16	UUE012	THERMOSTAT KEEPER PLATE
17	220011	THERMOSTAT 90°C
18	170025	SCREW M4X6
19	170020	3,9X9 PLATESCREW PH2
20	NCE013	THERMOMETER
21	UUE013	THERMOSTAT KNOB WHITE
22	XXX901	COVER POLICARBONAT INKA-PREMIXX
23	NCE026	PRESSING BAR
24	220015	TEMPERATURE LIMITER THERMOSTAT 95°C
25	220010	FUME THERMOSTAT 95°C
26	121022	GUM BUSHING BERTELLI
27	NCE024	CABLE STOPPER BUSHING SR-6N-4 SV
28	121031	GUM BUSHING 6X12X15
31	NCE020	CABLECORD TERMO ÖV COLOR N-NB-PA-PAB
32	UUE014	ELECTRONIC BOX TOP COVER

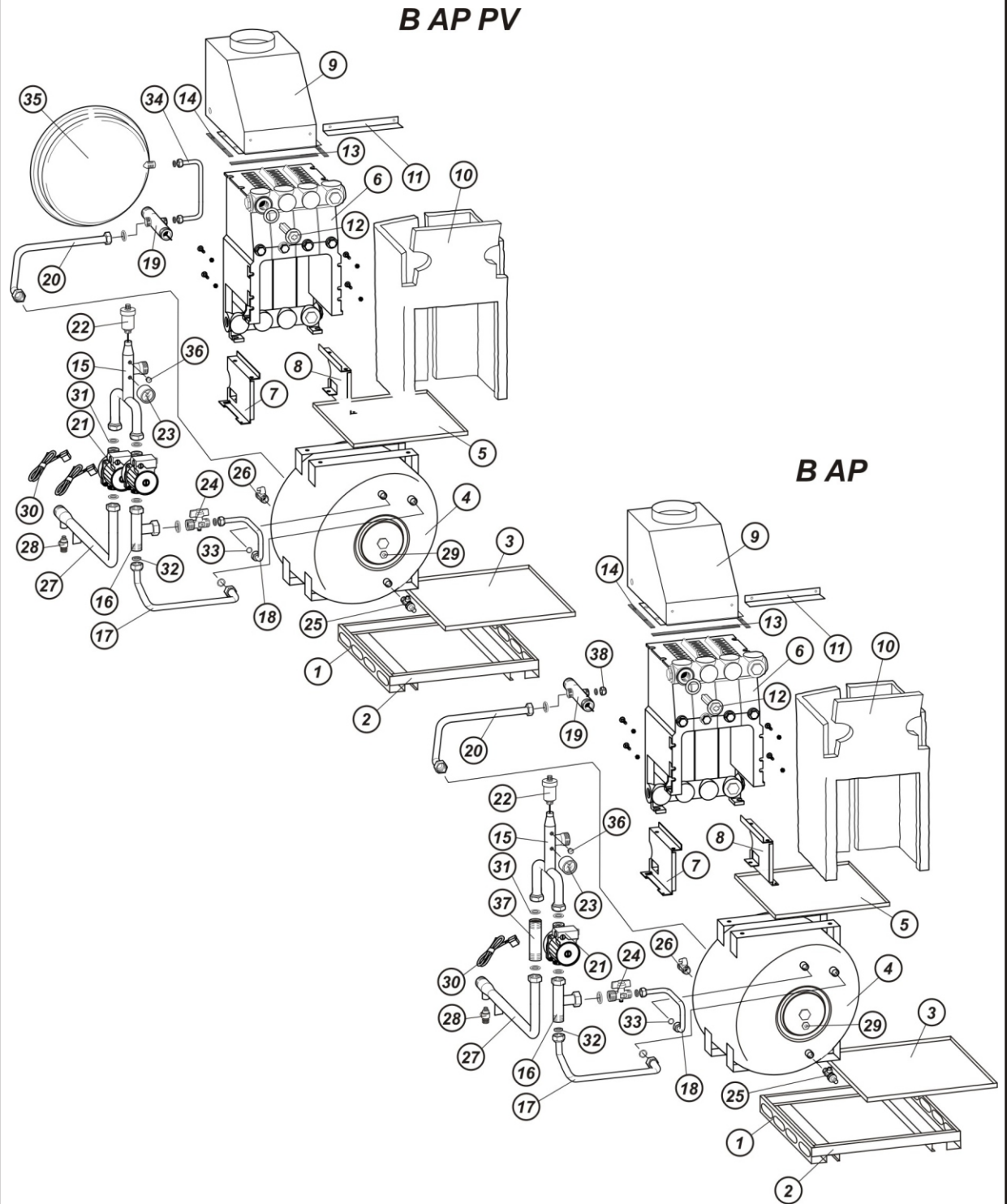
COVER ELEMENTS B AP, B AP PV, B AE, B AE PV



COVER ELEMENTS B AP, B AP PV, B AE, B AE PV

Pos.	Code	Description	
01	UUJ011	COVER PLATE RIGHT AP, AE	
02	UUJ012	COVER PLATE LEFT AP, AE	
03	UUJ013	TOP COVER B AP-B AE 16, 24, 32	
	UUJ014	TOP COVER B AP-B AE 40	
04	UUJ502	FRONT COVER 40AP-B AP-B AE	
05	UUJ015	FRONT COVER BOTTOM ELEMENT B AP-B AE	
06	NCJ209	BACK PLATE	
07	NCJ015	TOP CONNECTING PART (16, 24, 32)	
08	NCJ016	TOP CONNECTING PART (40)	
09	NCJ025	EXPANSION VESSEL BRACKET SHEET AP PV	
10	NCJ019	EXPANSION VESSEL FIXED SHEET	
11	240001	SPRING	
12	240002	M4 SCREW	

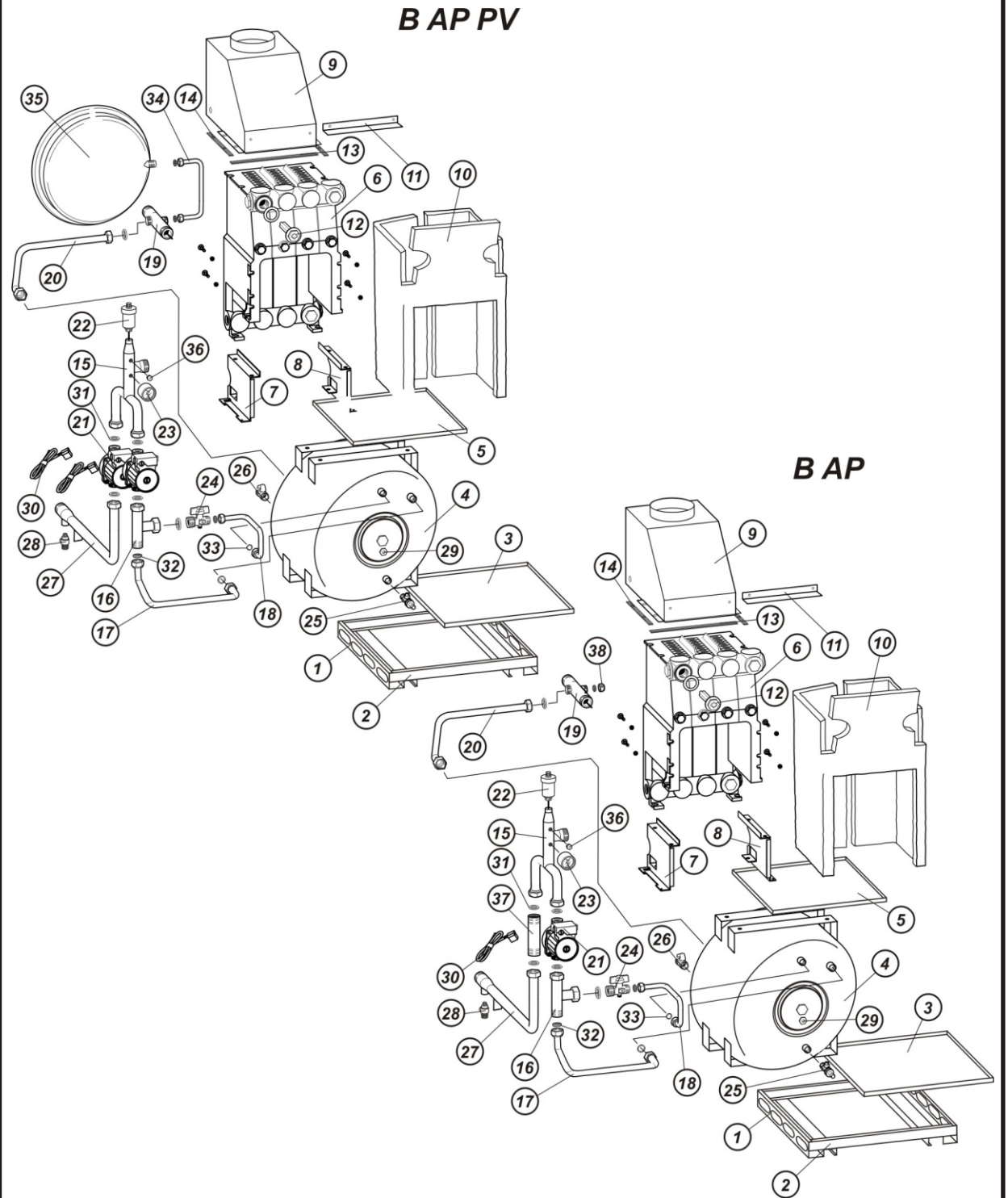
COMPONENTS B AP PV, B AP, B AE PV, B AE



COMPONENTS B AP PV, B AP, B AE PV, B AE

Pos.	Code	Description
01	188002	BASE PLATE OF APPLIANCE PA-PAB TC BOJLER 100-120-160
02	NCC502	BASE PLATE CONNECT TERMO ÖV COLOR N 5V, PA-PAB
04	NCH915	DHW TANK 100L PA-PAB HOT WATER STORAGE TANK
05	NCC034	UNDER SLAVER PA-PAB
06	NCC201	CAST IRON HEAT EXCHANGER 2V (16)
	NCC301	CAST IRON HEAT EXCHANGER 3V (24)
	NCC401	CAST IRON HEAT EXCHANGER 4V (32)
	NCC501	CAST IRON HEAT EXCHANGER 5V (40)
07	110001	BOILER BRACKET LEFT
08	110002	BOILER BRACKET RIGHT
09	NCC209	DEFLECTOR 2V (16)
	NCC309	DEFLECTOR 3V (24)
	NCC409	DEFLECTOR 4V (32)
	NCC509	DEFLECTOR 5V (40)
10	NCT202	THERWOOLIN ISOLATION 2V (16)
	NCT302	THERWOOLIN ISOLATION 3V (24)
	NCT402	THERWOOLIN ISOLATION 4V (32)
	NCT502	THERWOOLIN ISOLATION 5V (40)
11	NCJ210	ISOLATION SETTLLING 2V (16)
	NCJ310	ISOLATION SETTLLING 3V (24)
	NCJ410	ISOLATION SETTLLING 4V (32)
	NCJ510	ISOLATION SETTLLING 5V (40)
12	210003	'POCKET OF SENSORS 4 SITE
13	110203	DEFLECTOR ISOLATION 2V (16)
	110303	DEFLECTOR ISOLATION 3V (24)
	110403	DEFLECTOR ISOLATION 4V (32)
	110503	DEFLECTOR ISOLATION 5V (40)
14	110004	DEFLECTOR ISOLATION COMMON
15	NCH909	SELECTED PIPE PA-PAB
16	NCH905	T-FIGURE WITH REFLEXIVE VALVE PA-PAB
17	NCH202	HEATING SPIRAL ALONG PIPE PA-PAB 2V (16)
	NCH302	HEATING SPIRAL ALONG PIPE PA-PAB 3V (24)
	NCH402	HEATING SPIRAL ALONG PIPE PA-PAB 4V (32)
	NCH502	HEATING SPIRAL ALONG PIPE PA 5V (40)
18	NCH201	TANK UPLOAD PIPE PA-PAB 2V (16)
	NCH301	TANK UPLOAD PIPE PA-PAB 3V (24)
	NCH401	TANK UPLOAD PIPE PA-PAB 4V (32)
	NCH501	TANK UPLOAD PIPE PA 5V (40)
19	NCH918	HEATING REJOINING STUB PA-PAB
20	NCH913	HEATING SPIRAL REJOINING PIPE PA-PAB 2V (16)
	NCH908	HEATING SPIRAL REJOINING PIPE PA-PAB 3V (24)
	NCH916	HEATING SPIRAL REJOINING PIPE PA-PAB 4V (32)
	NCH920	HEATING SPIRAL REJOINING PA 5V
21	NCH004	ACCELERATING PUMP WILO 1"
22	110059	AUTOMATIC AIRVENT 3/8"
23	NCC022	MANOMETER
24	210015	FILLING TAP COMBINATED 1/2"-3/4"
25	110005	FILLING TAP 1/2" TERMO ÖV COLOR
26	NCH970	COMBINATION SAFETY VALVE 6 BAR

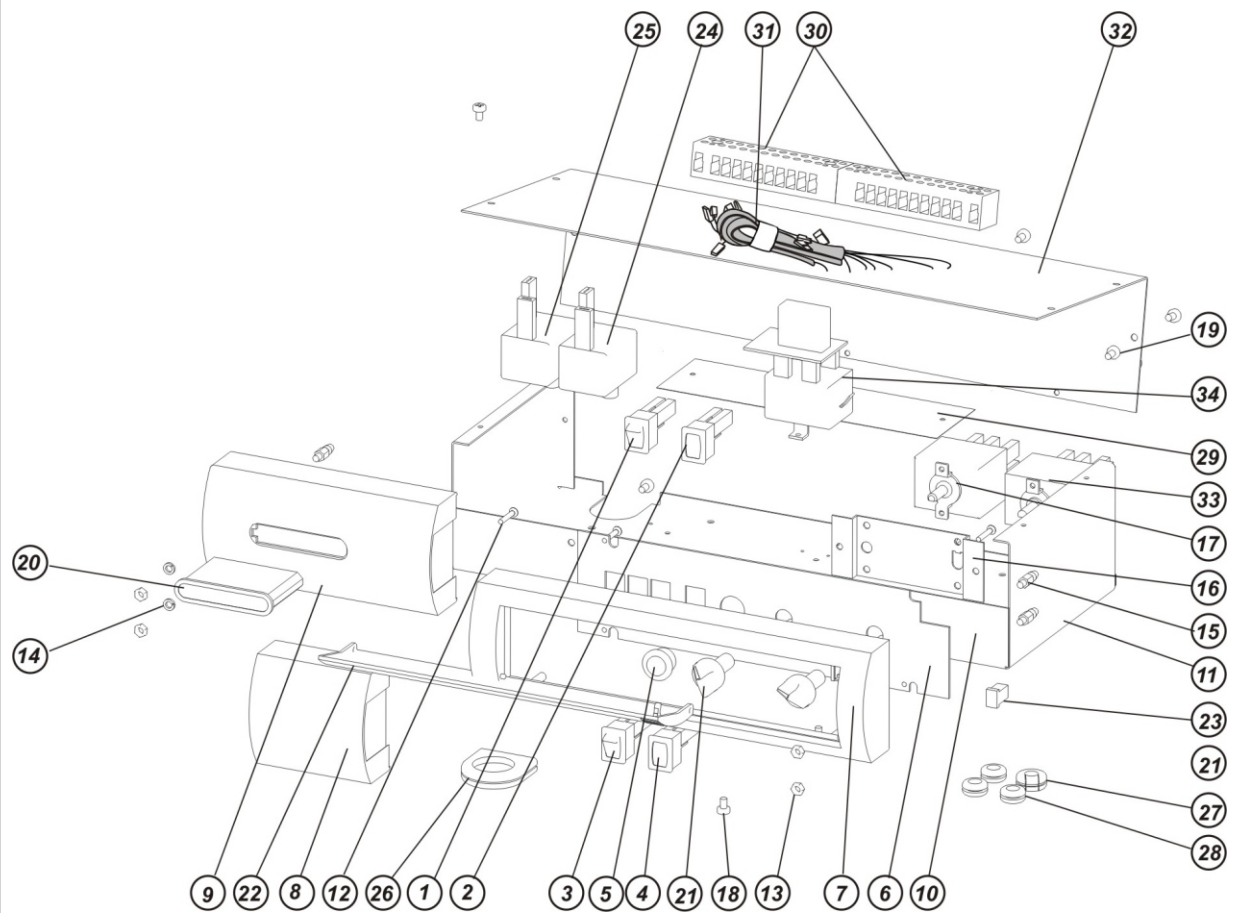
COMPONENTS B AP PV, B AP, B AE PV, B AE



COMPONENTS B AP PV, B AP, B AE PV, B AE

Pos.	Code	Description	
27	NCH911	HEATING ALONG AND REFLEXIVE VALVE PA-PAB	
28	NCH902	SAFETY VALVE	
29	NA0001	ACTIVE ANODE	
30	NCE994	ACCELERATING PUMP WILO FAC	
31	TB1304	PLUMBING 1"	
32	TB1303	SEALING 3/4"	
33	TB1302	SEALING 3/4"	
34	NCH999	PIPE OF EXPANSION VESSEL PAB	
35	NCH901	EXPANSION VESSEL 12 LIT.	
36	NCH960	ENDING WORM G1/8" NB-PA	
37	110008	HEATING RETURN PIPE 1"	
38	NCH961	ENDING CAP B G1/2"	

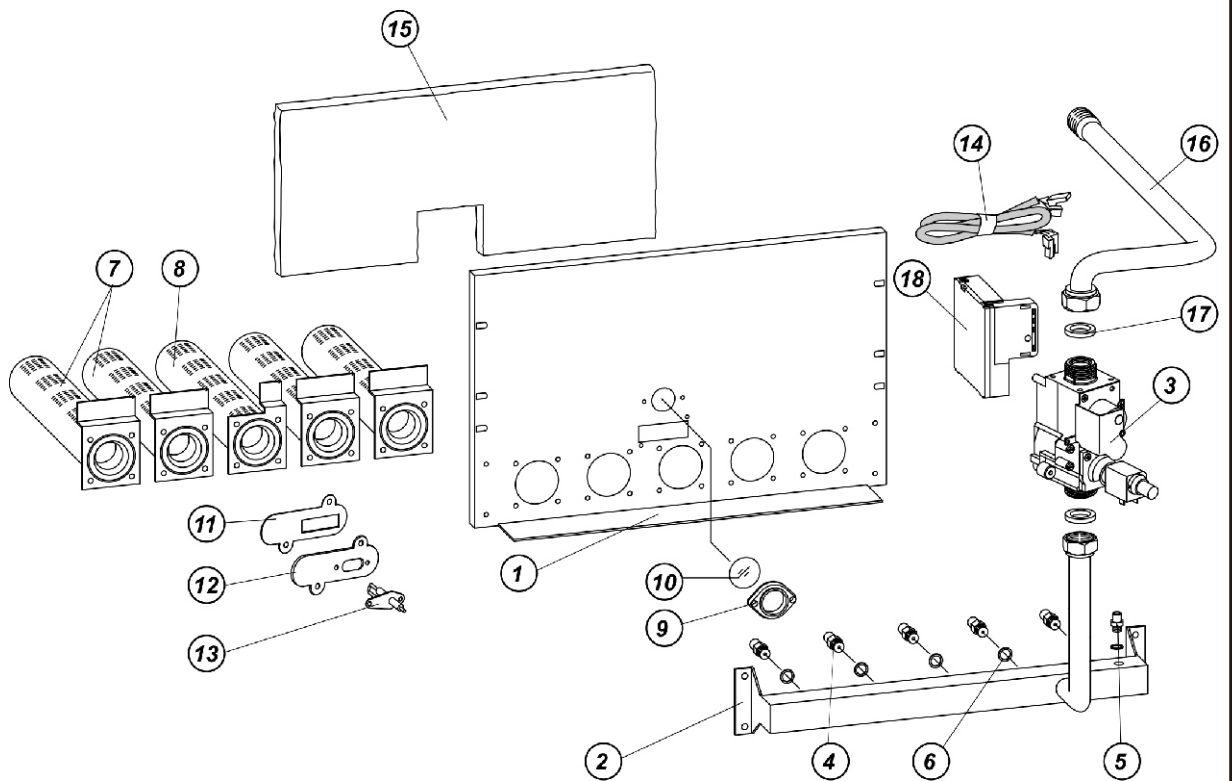
CONTROL PANEL GHISS B AP, B AP PV, B AE, AE PV



CONTROL PANEL GHISS B AP, B AP PV, B AE, AE PV

Pos.	Code	Description
01	UUE001	MAIN SWITCH
02	UUE002	WINTER-SUMMER MODE SELECTOR SWITCH
03	UUE003	INDICATOR LIGHT GREEN UNICAL
04	UUE004	INDICATOR LIGHT RED UNICAL
05	UUE005	PLASTIC COVER CUP
06	UUE006	INSERTING PLATE GHISS R
07	UUE007	FRONT PANEL RIGHT ELEMENT
08	UUE008	FRONT PANEL INNER ELEMENT
09	UUE009	FRONT PANEL LEFT ELEMENT
10	UUE010	BASIC ELECTRIC PLATE
11	UUE011	PLATE OF ELECTRIC BOX
12	170011	2,9X22 PLATESCREW PH1
13	170004	M4 NUT
14	170016	M4 SPACER
15	240002	M4 SCREW
16	UUE012	THERMOSTAT KEEPER PLATE
17	220011	THERMOSTAT 90°C
18	170025	SCREW M4X6
19	170020	3,9X9 PLATESCREW PH2
20	NCE013	THERMOMETER
21	UUE013	THERMOSTAT KNOB WHITE
22	XXX901	COVER POLICARBONAT INKA-PREMIXX
23	NCE026	PRESSING BAR
24	220015	TEMPERATURE LIMITER THERMOSTAT 95°C
25	220010	FUME THERMOSTAT 95°C
26	121022	GUM BUSHING BERTELLI
27	NCE024	CABLE STOPPER BUSHING SR-6N-4 SV
28	121031	GUM BUSHING 6X12X15
31	NCE020	CABLECORD TERMO ÖV COLOR N-NB-PA-PAB
32	UUE014	ELECTRONIC BOX TOP COVER
33	220005	THERMOSTAT 90°C, 1.5M
34	NCEE99	BOJLER CONTROLLER UNIT

BURNER SYSTEM B AE, B AE PV



BURNER SYSTEM B AE, B AE PV

Pos.	Code	Description
01	130201	BURNER PLATE 2V (16)
	130301	BURNER PLATE 3V (24)
	130401	BURNER PLATE 4V (32)
	130501	BURNER PLATE 5V (40)
02	230201	MANIFOLD 2V (16)
	230301	MANIFOLD 3V (24)
	230401	MANIFOLD 4V (32)
	230501	MANIFOLD 5V (40)
03	NCH100	GAS VALVE SIT 840
04	230006	NOZZLES D2,35
	230012	NOZZLES D2,45 (56 ONLY)
05	230007	MANOMETER CONNECTION (CHECK VALVE)
06	230015	COPPER SPACER
07	NCB005	MAIN BURNER
08	NCB006	MAIN BURNER (UNDER IGNITION BURNER)
09	230008	CONTROL WINDOW FRAME
10	230009	CONTROL WINDOW GLASS
11	130009	IGNITION BURNER GASKET
12	NCB800	IGNITION ELECTRODE HOLDER - DIRECT IGNITION
13	NCE800	IGNITION ELECTRODE - DIRECT IGNITION
14	NCE048	CABLE GAS VALVE SIT 840 DBC 577
15	110202	ISOLATION FOR BURNER PLATE 2V (16)
	110302	ISOLATION FOR BURNER PLATE 3V (24)
	110402	ISOLATION FOR BURNER PLATE 4V (32)
	110502	ISOLATION FOR BURNER PLATE 5V (40)
16	NCB011	GAS PIPE 1/2"
17	TB1303	GASKET 3/4"
18	NCE047	IGNITION CONTROLLER DBC 577
19	NCE1011	CABLE IGNITION-IONISATION ECO B L1000